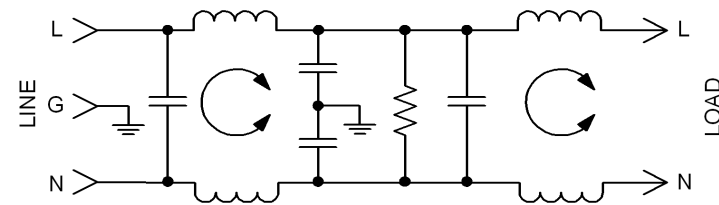


REVISION HISTORY				
REV	DESCRIPTION	DATE	CHGD BY	APPV'D
1	PRELIMINARY	6/4/2018	CJB	CJD



**SCHEMATIC DIAGRAM**

MINIMUM INSERTION LOSS - 50Ω CIRCUIT			
COMMON MODE		DIFFERENTIAL MODE	
MHz	min. I.L. (dB)	MHz	min. I.L. (dB)
.15	58	.15	36
0.5	65	0.5	55
1.0	65	1.0	60
5.0	65	5.0	60
10	60	10	55
20	55	20	50
30	54	30	50

**TEST SPECIFICATIONS**

HI-POT (1 min.)

L/G 2000 VAC

L/N 1450 VDC

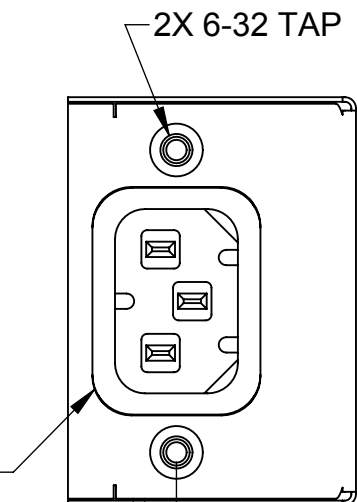
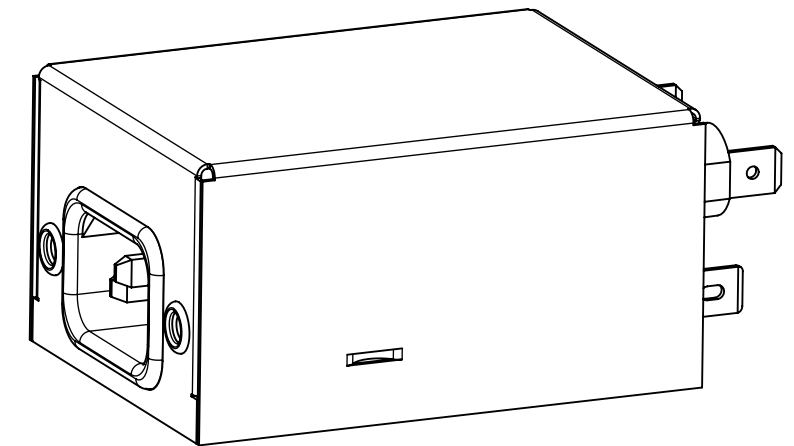
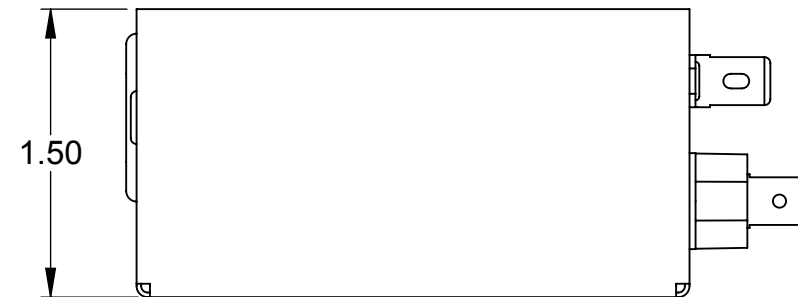
Rated Voltage: 250 VAC max.  
 Rated Current: at 250 VAC 6A max.  
 Line Frequency: 50/60 Hz  
 Current Overload: 6X for 8 seconds  
 Insulation Resistance: 9000 Megohms min. at 100VDC  
 Leakage Current: at 250 VAC, 60Hz .48mA max.

**ENVIRONMENTAL SPECIFICATIONS**

Ambient Temperature Range: 0°C to 40°C  
 (Operating at Rated Current)  
 Humidity Range: 0% to 95% R.H.

Approvals: UL, CSA, TUV  
 Filter bears CE Mark.

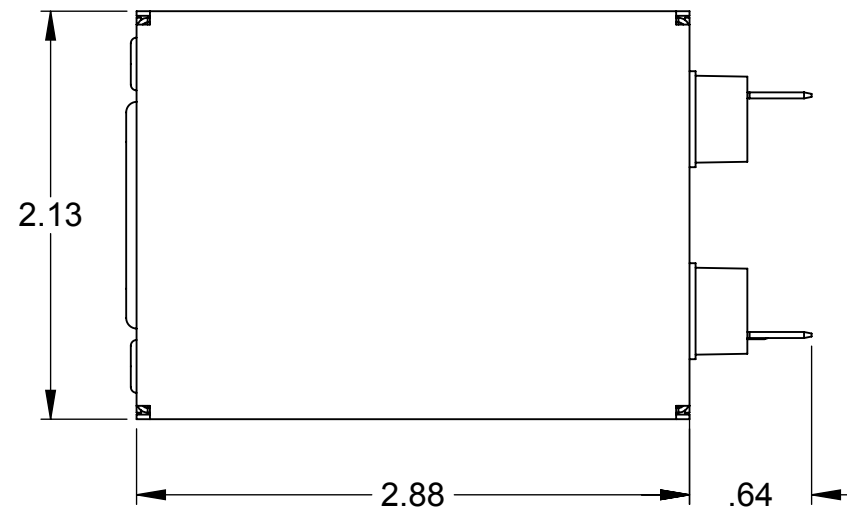
Rohs Compliant



C14 IEC SOCKET

.565

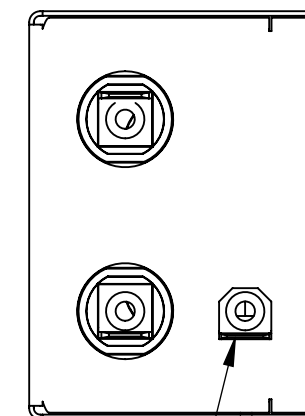
LINE



2.13

2.88

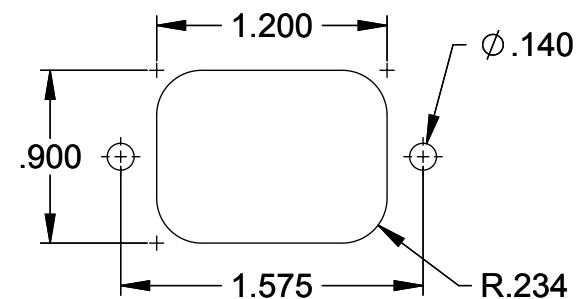
.64



3X .25X.31 QC TABS

LOAD

**RECOMMENDED MOUNTING CUTOUT**



CADFILE NAME: F1400CA06 Rev1 B.slddrw

PREVIOUS P/N: NONE

UNLESS OTHERWISE SPECIFIED DIMENSIONS ARE IN INCHES. TOLERANCES ARE:

∠ TOL. = 0° 30'  
 .XX TOL. = ±.03  
 .XXX TOL. = ±.010

FINISH

MATERIAL

PROPRIETARY & CONFIDENTIAL TO CURTIS INDUSTRIES.

THE INFORMATION CONTAINED IN THIS DRAWING IS THE SOLE PROPERTY OF CURTIS INDUSTRIES. ANY REPRODUCTION IN PART OR A WHOLE WITHOUT THE WRITTEN PERMISSION OF CURTIS INDUSTRIES IS PROHIBITED.

**CURTIS INDUSTRIES**  
 A division of Powers Holdings, Inc.  
 2400 South 43rd Street  
 Milwaukee, WI 53219  
 Phone: (414) 649-4200  
 www.curtisind.com

TITLE		FILTER SPECIFICATION		
SCALE	1:1	DRAWN	CJB	CHECKED
			CJD	DATE
				6/4/2018
SIZE	B	SHT 1 OF 1	DWG. NO.	F1400CA06
			REV.	1

**PRELIMINARY**